

aquatica®

Function, Form & Fashion



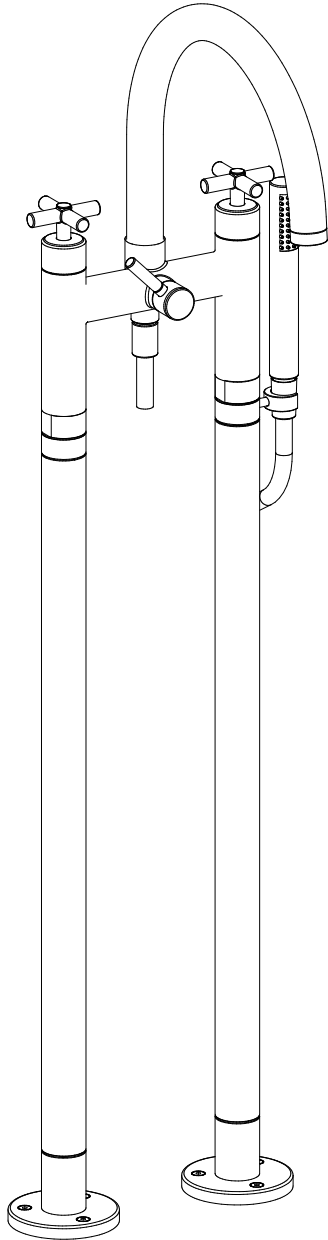
Celine Floor Mounted
Bath Filler

Installation & Care Manual
Europe / International

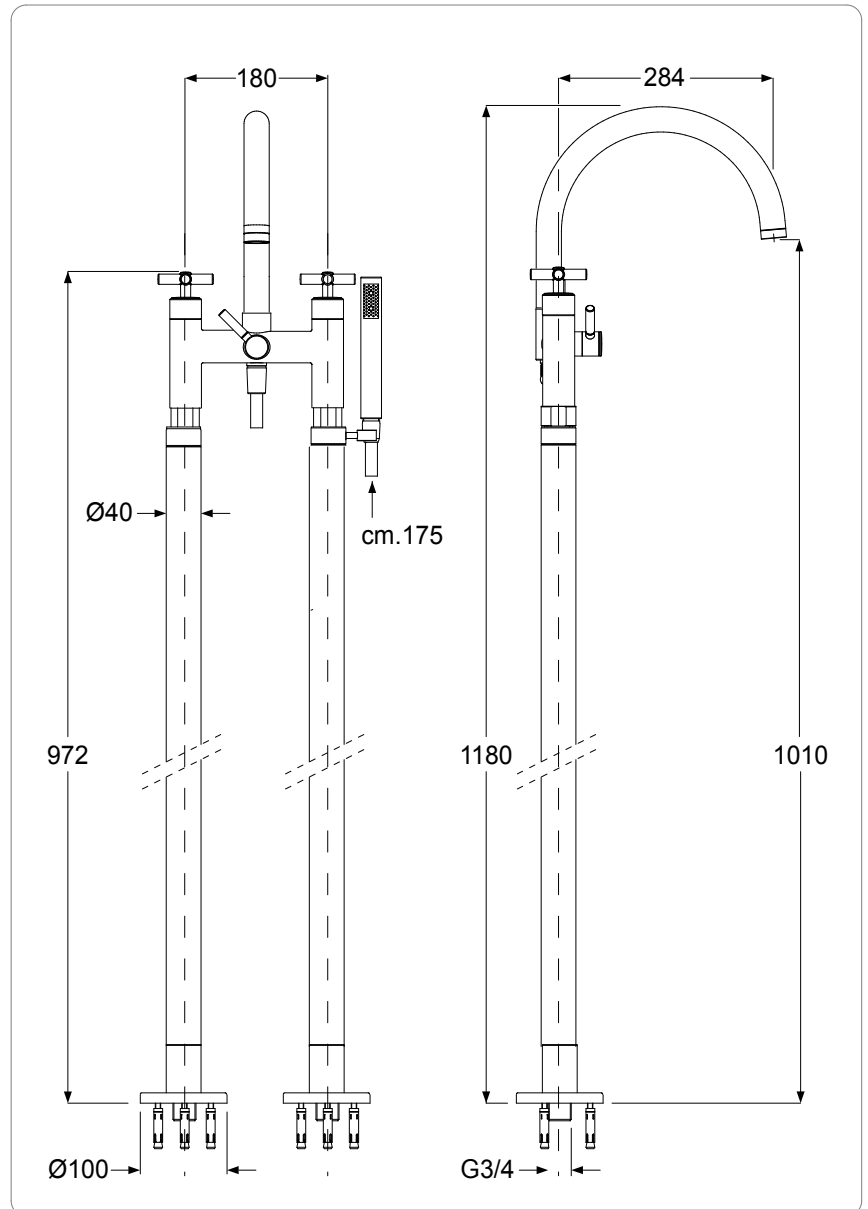
Celine Floor Mounted

Bath Filler

PARTS LIST



 MEASUREMENTS: mm

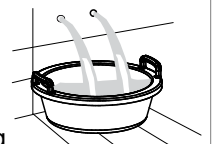


SPECIFICATIONS

Recommended operational pressure	1-5 bar
Maximum test pressure	16 bar
Maximum hot water temperature	80 °C
Recommended temperature	50-60 °C
Pressure difference between hot and cold water	max. 1,5 bar

IMPORTANT NOTE

- Installation to be performed by qualified personnel
- Before connecting to mains, bleed the pipes to avoid damage.



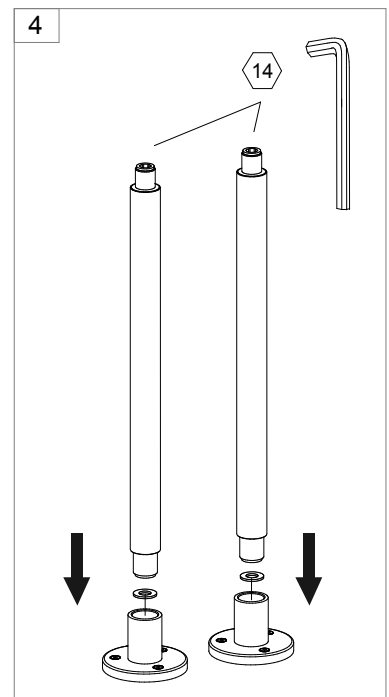
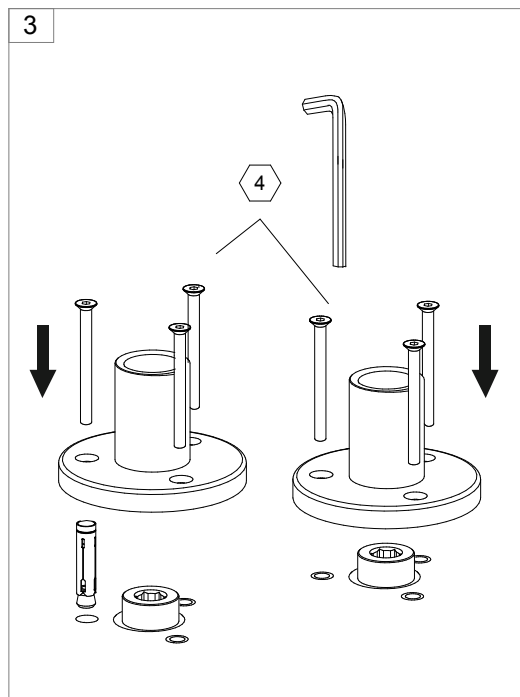
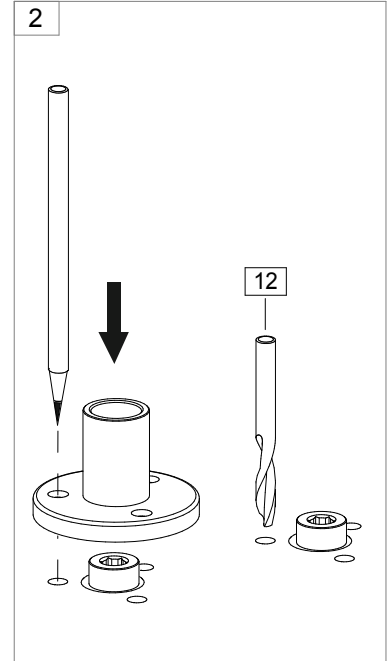
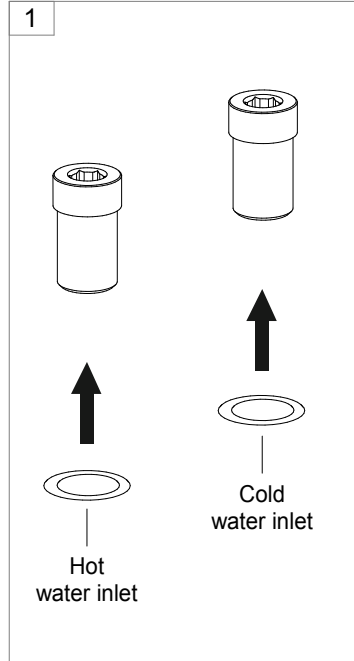
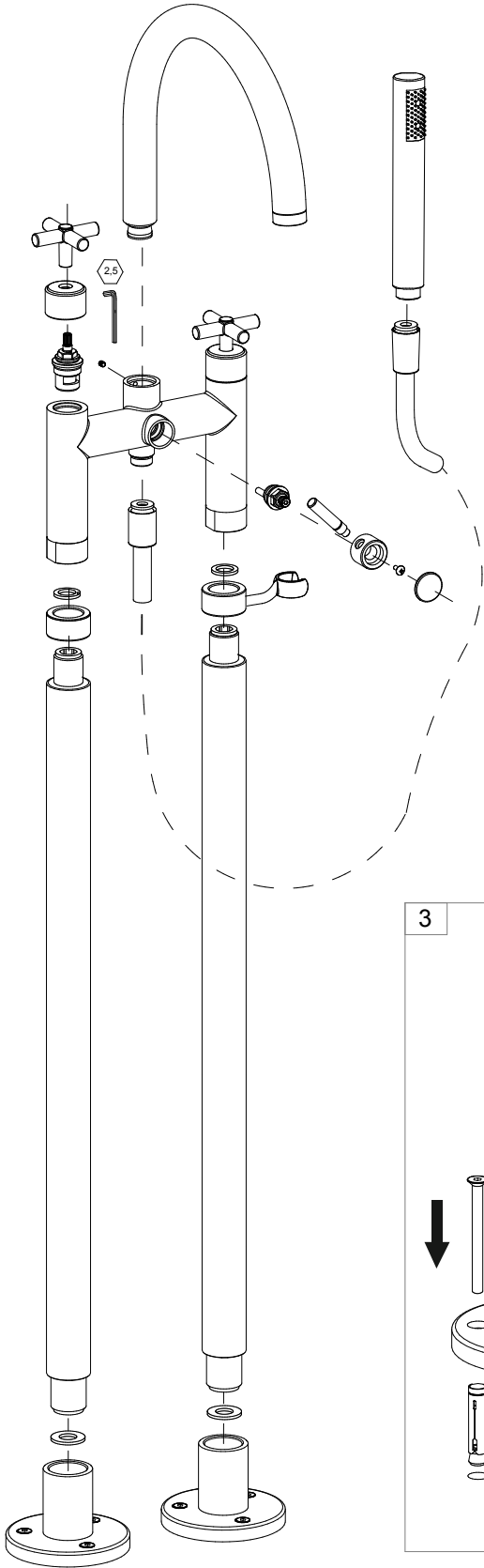
Celine Floor Mounted

Bath Filler

INSTALLATION

aquatica®

Function, Form & Fashion



aquatica®

Function, Form & Fashion

aquatica®
Function, Form & Fashion

